

REFRIGERATOR MANUFACTURER
Turbo air

J Series

Undercounter Freezers - Narrow Service Manual

JUF-36S-N

JUF-48S-N

JUF-60S-N

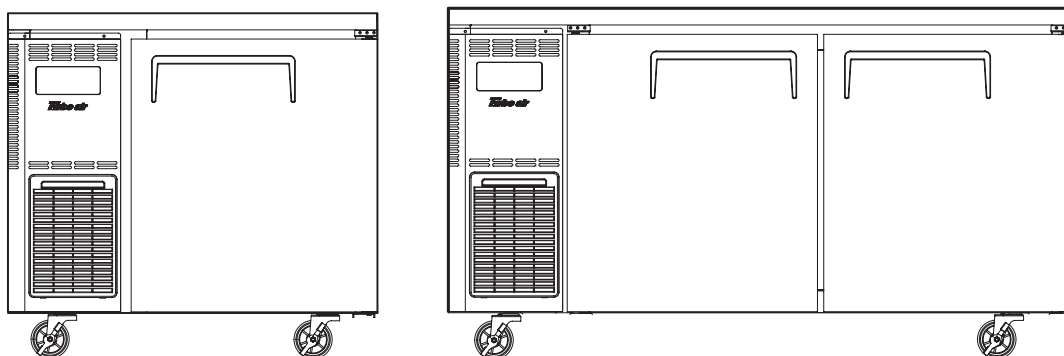


TABLE OF CONTENTS

EXPLODED VIEW

JUF-36S-N EXPLODED VIEW.....	3
JUF-48S-N EXPLODED VIEW.....	4
JUF-60S-N EXPLODED VIEW.....	5

WIRING DIAGRAMS	6
------------------------------	---

MAIN COMPONENTS	7
------------------------------	---

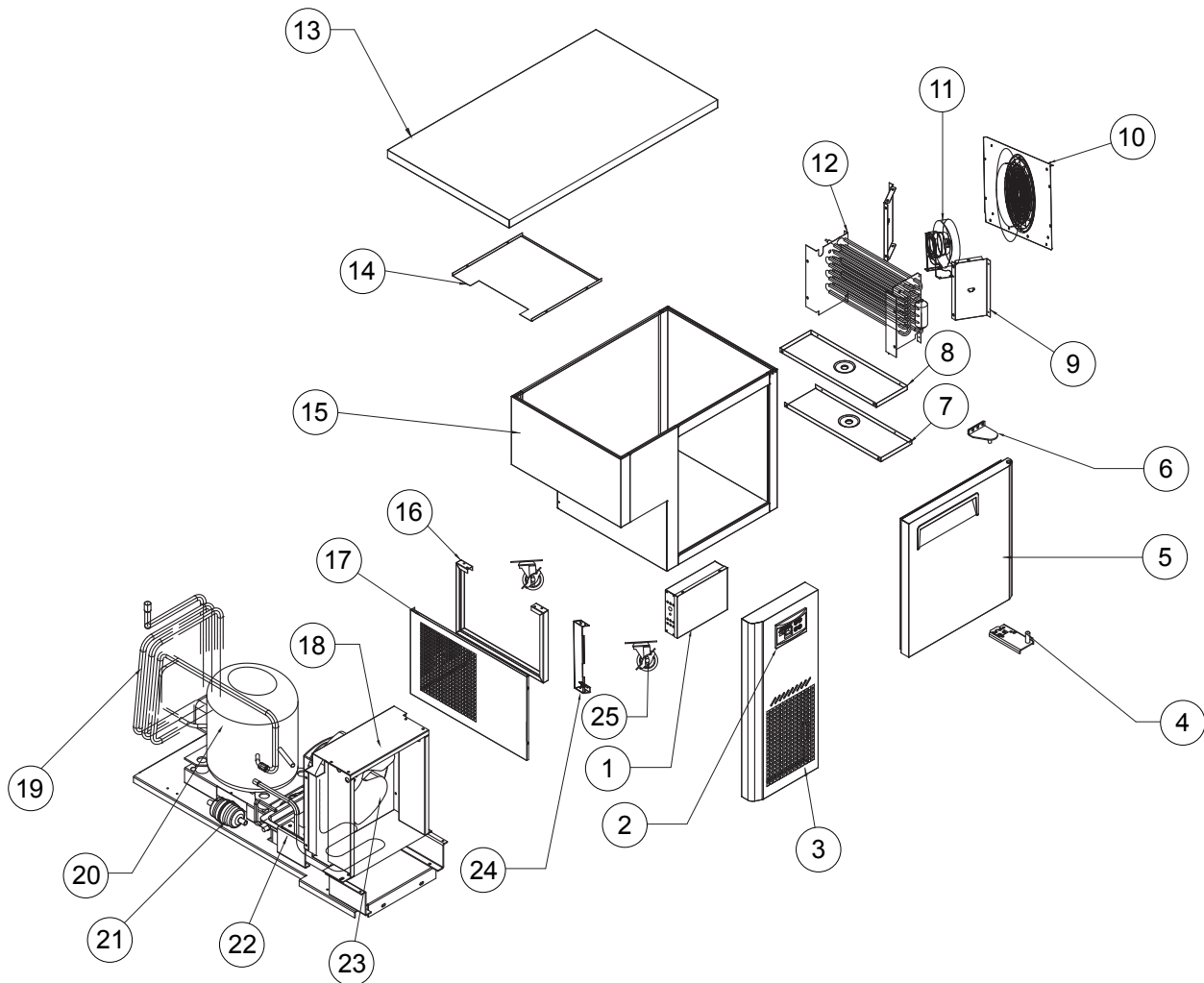
PARTS LIST	8-9
-------------------------	-----

TEMPERATURE CONTROL INSTRUCTION	10
--	----

REPLACEMENT OF MAIN COMPONENTS

REPLACING DOOR	11
REFRIGERATION COMPARTMENT PARTS	11
COMPRESSOR COMPARTMENT PARTS	12

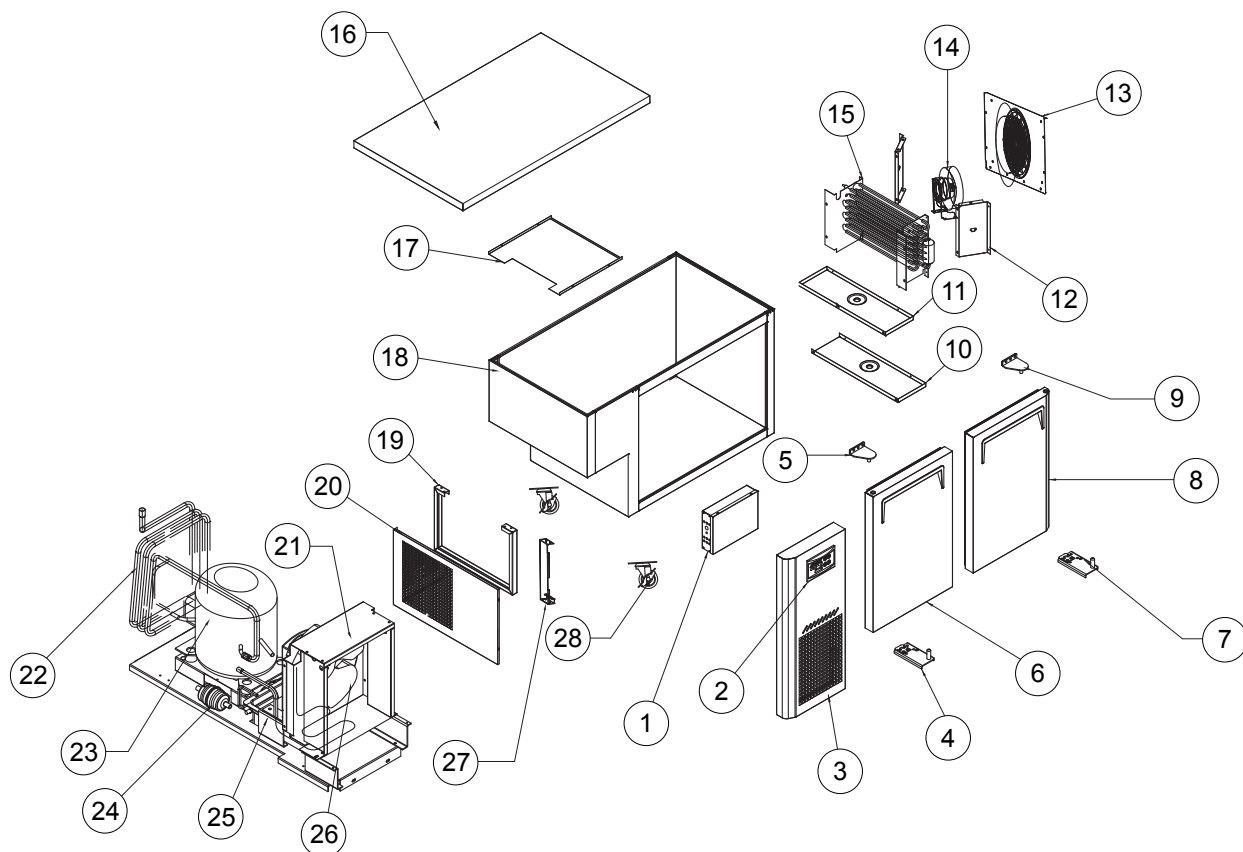
JUF-36S-N EXPLODED VIEW



PART NAME

1	MAIN PCB COVER	12	EVA ASSY	23	CONDENSER FAN MOTOR
2	FRONT PCB	13	COUNTERTOP	24	UNIT BRACKET (A)
3	ASSY UNIT FRONT COVER	14	EVAP FAN AIR GUIDE	25	CASTER
4	BOTTOM HINGE (R)	15	CABINET ASSY		
5	DOOR (R)-900	16	UNIT BRACKET		
6	TOP HINGE (R)	17	UNIT SIDE COVER		
7	EVAP DRAIN GUIDE COVER	18	CONDENSER ASSY		
8	EVAP DRAIN GUIDE	19	SUCTION PIPE		
9	AIR GUIDE (L/R)	20	COMPRESSOR		
10	EVAP DUCT	21	DRYER		
11	EVAP FAN MOTOR	22	DRAIN PAN		

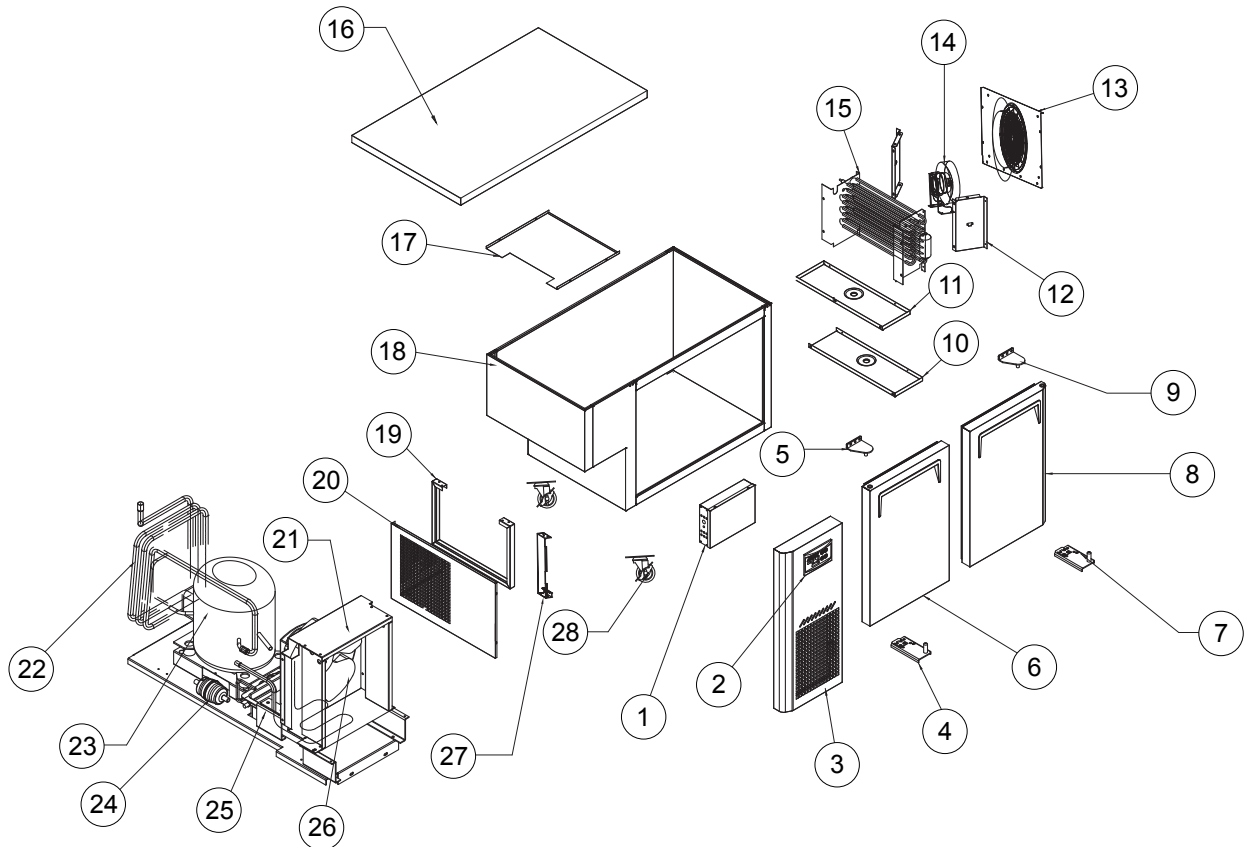
JUF-48S-N EXPLODED VIEW



PART NAME

1	MAIN PCB COVER	12	AIR GUIDE (L/R)	23	COMPRESSOR
2	FRONT PCB	13	EVAP DUCT	24	DRYER
3	ASSY UNIT FRONT COVER	14	EVAP FAN MOTOR	25	DRAIN PAN
4	BOTTOM HINGE (L)	15	EVAP ASSY	26	CONDENSER FAN MOTOR
5	TOP HINGE (L)	16	COUNTERTOP	27	UNIT BRACKET (A)
6	DOOR (L)-1200	17	EVAP FAN AIR GUIDE	28	CASTER
7	BOTTOM HINGE (R)	18	CABINET ASSY		
8	DOOR (R)-1200	19	UNIT BRACKET		
9	TOP HINGE (R)	20	UNIT SIDE COVER		
10	EVAP DRAIN GUIDE COVER	21	CONDENSER ASSY		
11	EVAP DRAIN GUIDE	22	SUCTION PIPE		

JUF-60S-N EXPLODED VIEW

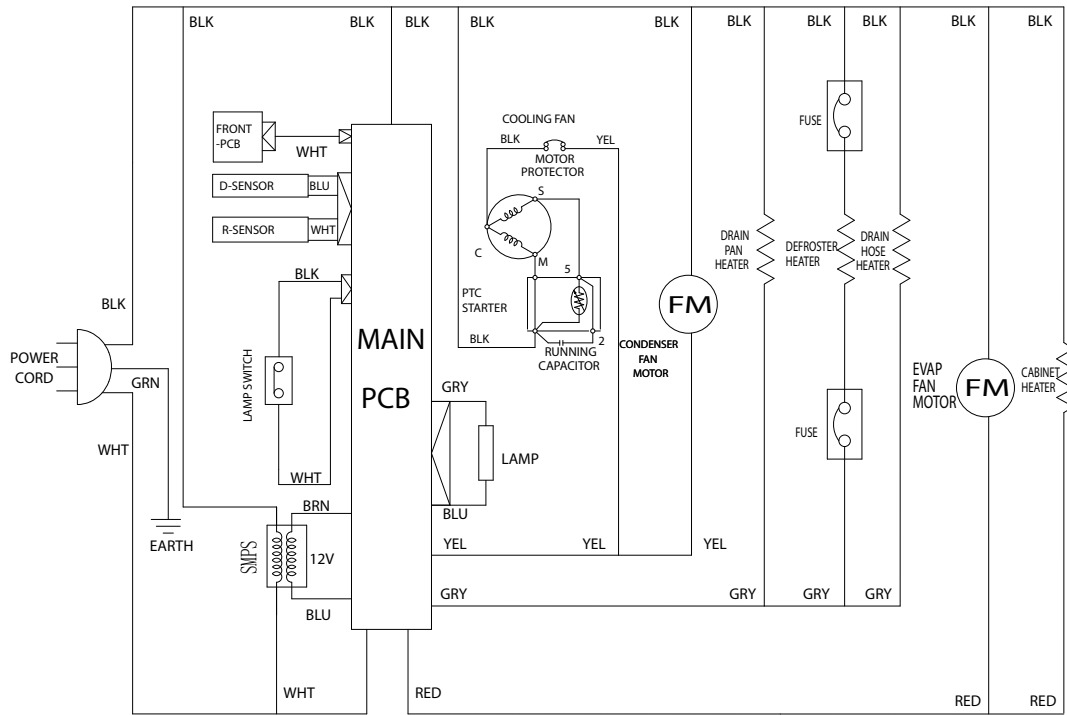


PART NAME

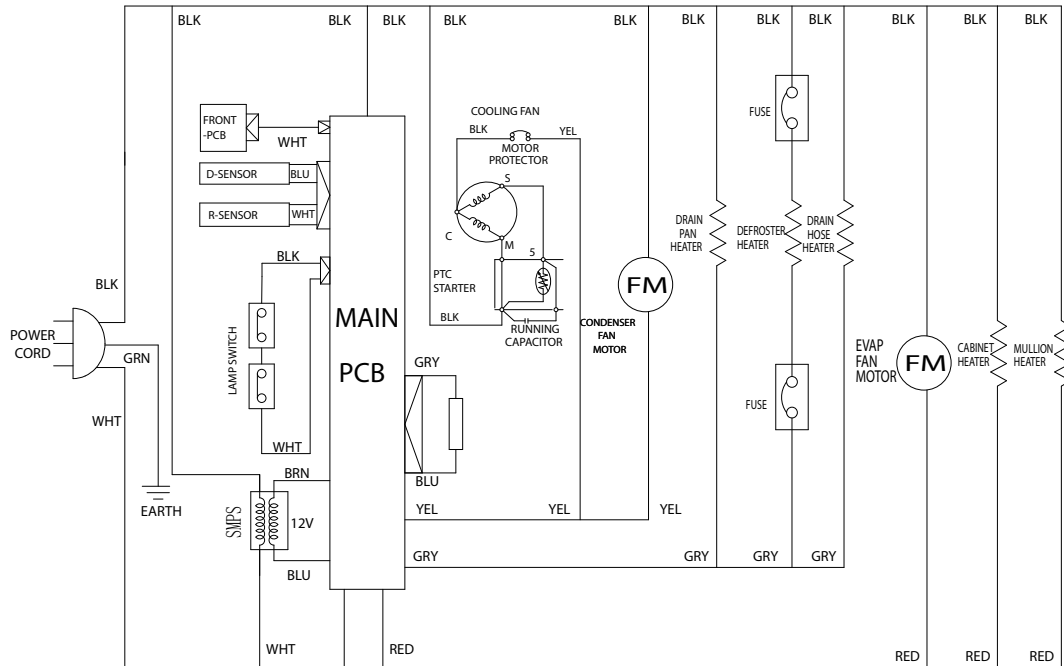
1	MAIN PCB COVER	12	AIR GUIDE (L/R)	23	COMPRESSOR
2	FRONT PCB	13	EVAP DUCT	24	DRYER
3	ASSY UNIT FRONT COVER	14	EVAP FAN MOTOR	25	DRAIN PAN
4	BOTTOM HINGE (L)	15	EVAP ASSY	26	CONDENSER FAN MOTOR
5	TOP HINGE (L)	16	COUNTERTOP	27	UNIT BRACKET (A)
6	DOOR (L)-1200	17	EVAP FAN AIR GUIDE	28	CASTER
7	BOTTOM HINGE (R)	18	CABINET ASSY		
8	DOOR (R)-1200	19	UNIT BRACKET		
9	TOP HINGE (R)	20	UNIT SIDE COVER		
10	EVAP DRAIN GUIDE COVER	21	CONDENSER ASSY		
11	EVAP DRAIN GUIDE	22	SUCTION PIPE		

WIRING DIAGRAMS

JUF-36S-N



JUF-48S/60S-N



MAIN COMPONENTS

COMPRESSOR

MODEL	PART NAME	PART NO.	HP	CAPACITY	TYPE OF	INPUT	MAKER
JUF-36S-N	NUG60LR		1/3	~	CISR	115V/60HZ	
JUF-48S-N	NUG80LR		3/8	~	CISR	115V/60HZ	
JUF-60S-N	NUG80LR		3/8	~	CISR	115V/60HZ	

COMPRESSOR CAPACITOR

MODEL	STARTING	PART NO.	RUNNING	PART NO.	MAKER	NOTE
JUF-36S-N	100 μ F 160V	-	-	-	-	-
JUF-48S-N	150 μ F 160V	-	-	-	-	-
JUF-60S-N	150 μ F 160V	-	-	-	-	-

CONDENSER FAN MOTOR

MODEL	PART NAME	PART NO.	POLE	INPUT	TYPE	BLADE	MAKER
JUF-36S-N	4511003050	-	4P	115V/60Hz	SHADED POLE INDUCTION	AL5	SUNGSHIN
JUF-48S-N							
JUF-60S-N							

EVAPORATOR FAN MOTOR

MODEL	PART NAME	PART NO.	POLE	INPUT	TYPE	BLADE	MAKER
JUF-36S-N	4511003050	-	4P	115V/60Hz	SHADED POLE INDUCTION	AL5	SUNGSHIN
JUF-48S-N							
JUF-60S-N							

PARTS LIST

PART NAME	PART CODE	DESCRIPTION	MODEL		
			JUF-36S-N	JUF-48S-N	JUF-60S-N
COUNTERTOP ASSY	KR60680101			1	
COUNTERTOP ASSY	KR20680101				1
COUNTERTOP ASSY	KR90680101		1		
DOOR ASSY (L)-1200	JUR4805104			1	
DOOR ASSY (R)-1200	JUR4805202			1	
DOOR ASSY (L)-1500	JUR6005104				1
DOOR ASSY (R)-1500	JUR6005202		1		1
DOOR GASKET	KR23300107	PVC		2	
DOOR GASKET	KR53300107	PVC	1		2
DOOR BUSHING	M720700108	ABS	1	2	2
DOOR BUSHING	T8F0500701	ABS	1	2	2
SPRING BAR	BR98400105		1	2	2
BOTTOM HINGE (U)(L)	K5R1107102	SUS		1	1
BOTTOM HINGE (U)(R)	K5R1107202	SUS	1	1	1
TOP HINGE (L)	KR89910304	SUS		1	1
TOP HINGE (R)	KR89910404	SUS	1	1	1
EVA ASSY	JUF233109	CU		1	1
EVA ASSY	JUF203109	CU	1		
DRYER	BR84100101	CU	1	1	1
CONDENSER ASSY	JUF660605		1	1	1
CONDENSER FAN MOTOR	4511003050		1	1	1

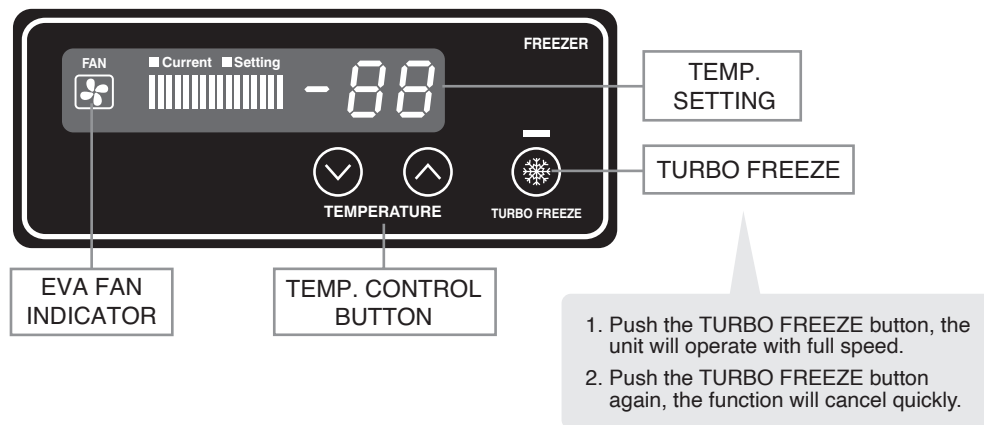
PARTS LIST

PART NAME	PART CODE	DESCRIPTION	MODEL		
			JUF-36S-N	JUF-48S-N	JUF-60S-N
EVAP FAN MOTOR	4511003050		1	1	1
DISPLAY PCB	JR85400101		1	1	1
MAIN PCB	BR85400100		1	1	1
POWER CORD	M721300202		1	1	1
R SENSOR	K3F5102100		1	1	1
D SENSOR	K3F5102001		1	1	1
MAIN PCB COVER (B)	KR81400100	SUS	1	1	1
ASSY MULLION (900)	KR22100100			1	1
ASSY UNIT FRONT COVER	KR81410709		1	1	1
EVA DRAIN GUIDE	KW81800100	SUS	1	1	1
UNIT SIDE COVER	KR51400100	SUS	1	1	1
EVAP DUCT	KR91700102	SUS	1	1	1
SHELF STANDARD	KF99003000	SUS	4	8	8
FIXTURE SHELF CLIP	30220L0905	PA-66	4	8	8
SHELF-1200	KW29000101	Pe-Co (White)		2	
SHELF-1500	KW59000101	Pe-Co (White)			2
SHELF-900	KW99000101	Pe-Co (White)	1		
CASTER	G8F65D0100	4 inch (non-brake)	2	2	2
CASTER	G8F6500201	4 inch (w/brake)	2	2	2
DRAIN PAN	M729300105	P.P	1	1	1
FRONT PCB CASE	KR99880102	ABS	1	1	1
DRAIN HOSE	KR91105101	PVC	1	1	1
DRAIN HOSE HEATER	T8F5300302		1	1	1
DRAIN PAN HEATER	UF20156001		1	1	1
DEFROST HEATER	JUF60N0101		1	1	1
CABINET HEATER	JF95300108		1		
CABINET HEATER	JF25300108			1	
CABINET HEATER	JF55300108				1
MULLION HEATER	JF85300208			1	1

TEMPERATURE CONTROL INSTRUCTION

BASIC OPERATION

1. Plug in and the Display panel will be lighted and make a beep sound.
The compressor will begin to run.
 2. The compressor is automatically cycled by the electronic controller (PCB).
 3. The Defrost cycle is automatically controlled by the PCB.
 4. Good Air Flow in refrigerator unit is critical. Be careful to load product so that it neither presses against the back wall, nor reaches within four inches from the evaporator compartment.
- By pushing the up/down button, you can set the inside temperature.
 - If you want lower temperature, push the Down button to be lighted lower level numbers.



When the inside temperature is lower than -45°C , the panel will display 'LO'

LO

and higher than $+18^{\circ}\text{C}$, the panel will display 'HI'.

HI

REPLACEMENT OF MAIN COMPONENTS

REPLACING DOOR

A. Unscrew the top hinge



B. Lift the door

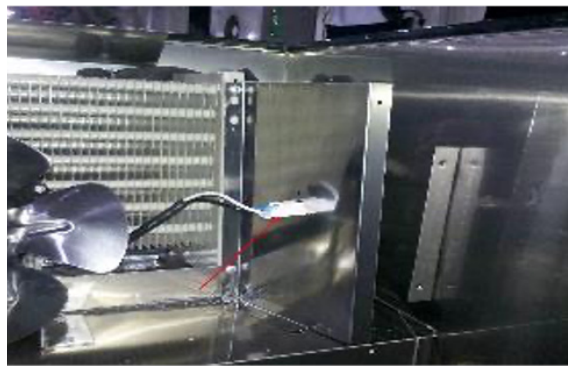


REFRIGERATION COMPARTMENT PARTS

A. Disassemble the evaporator duct assembly



B. Disassemble the harness motor



C. Remove the evaporator fan motor



D. Remove the air guide (L/R)



E. Remove the evaporator coil



REPLACEMENT OF MAIN COMPONENTS

COMPRESSOR COMPARTMENT PARTS

A. Disassemble the unit front cover assembly



B. Disassemble the unit side cover



C. Remove the mech cover



D. Remove the comp base



E. Disassemble the condensing unit



REFRIGERATOR MANUFACTURER
Turbo air

4184 E. Conant St., Long Beach, CA 90808
Toll Free: 1-800-381-7770
Fax: 310-900-1033
Email: warranty@turboairinc.com

www.turboairinc.com